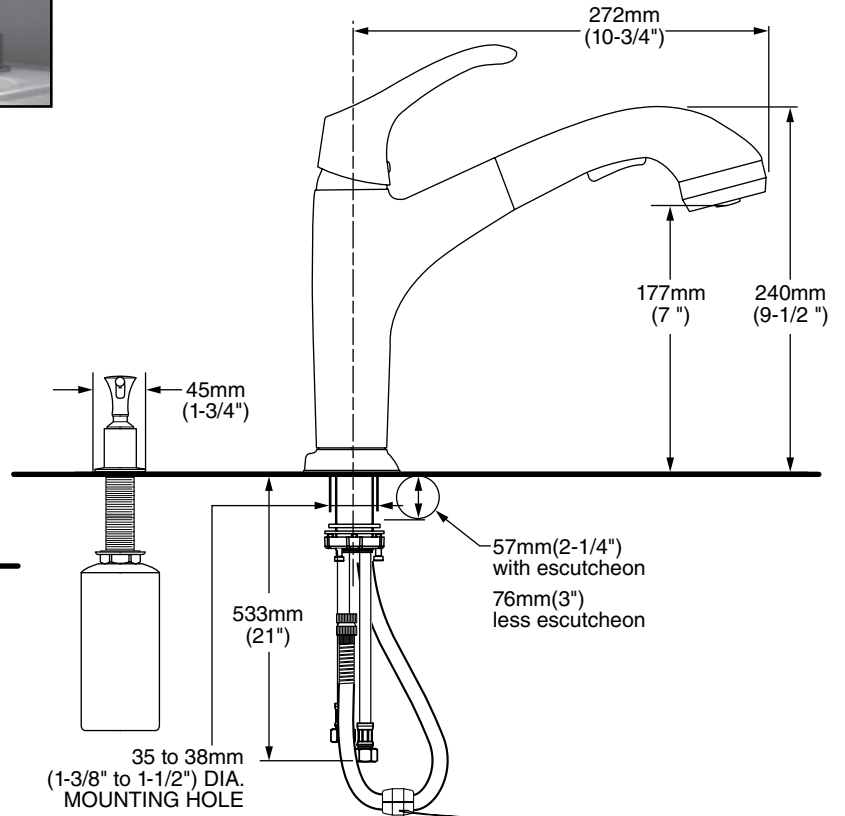
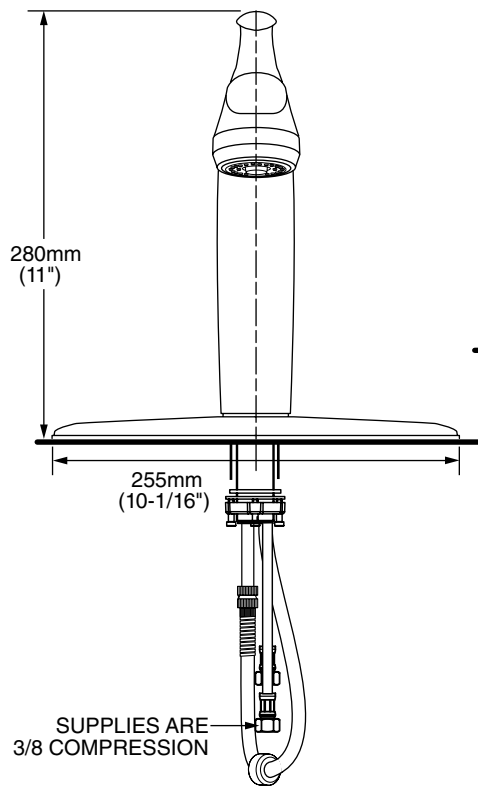




**MODEL NUMBER:**

- 9449.101 Kitchen Faucet with Pull-Out Spray**  
Soap dispenser and escutcheon. (use is optional)



**GENERAL DESCRIPTION:**

Metal body handle and escutcheon plate. Metal swivel spout with SelectFlo™ 4 function pull-out spray. Adjustable spray pattern with toggle button activation and rotating selection dial. Washerless 40mm ceramic disc valve cartridge. Braided flexible Stainless Steel supply hoses with 3/8" compression connections. Metal mounting shank with brass fixation ring. Complete with two integral check valves. 1.8 gpm/6.8 L/min. maximum flow rate. Fitting can be mounted with or without escutcheon plate (escutcheon size 10-1/16"L x 2-1/2"W).

**PRODUCT FEATURES:**

**SelectFlo™ Spray Head:** 4 function spray offers STREAM, SPRAY, MIST and JET sprays to perform various kitchen tasks.

**Ceramic Disc Valve Cartridge:** Assures smooth, precise valve control and a lifetime of drip-free, maintenance-free performance.

**Memory Position Valving:** Allows user to turn valve on and off at preferred temperature setting without readjusting handle position each time.

**Lead Free:** Faucet contains ≤ 0.25% total lead content by weighted average.

**Integral Check Valves:** Prevents back flow.

**SUGGESTED SPECIFICATION:**

Single control kitchen pull-out faucet shall feature a swivel pull-out SelectFlo™ spray spout with two check valves, metal escutcheon plate and handle. Shall also feature washerless ceramic disc valve cartridge and flexible Stainless Steel supply hoses. Faucet shall be American Standard Model # 9449.101.\_\_\_\_\_.

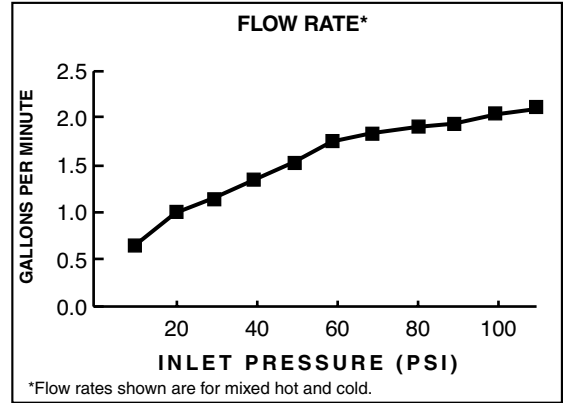


**XAVIER™**  
**PULL-OUT KITCHEN FAUCET**  
**WITH SELECTFLO™**


**CODES AND STANDARDS**

These products meet or exceed the following codes and standards:

- ANSI A117.1**
- ASME A112.18.1**
- NSF 61/Section 9 & Annex G**
- CSA B125**



Product Number	Description	Finish Options	
		Polished Chrome	Stainless Steel (PVD)
		002	075
9449.101	Xavier Pull-Out Kitchen Faucet with SelectFlo™		

 Meets the American Disabilities Act Guidelines and **ANSI A117.1** Requirements for the physically challenged.