

COASTAL SERIN FREESTANDING TUB

2765.034 COASTAL SERIN FREESTANDING TUB

**Product Features:**

- Sleek contemporary design
- High-gloss cast acrylic
- Center toe-tap drain
- Large slotted overflow for deep soaking
- Integrated tub drain with chrome finish
- Removable overflow design give ability to change to satin nickel overflow and drain kit (sold separately)
- Limited Lifetime warranty

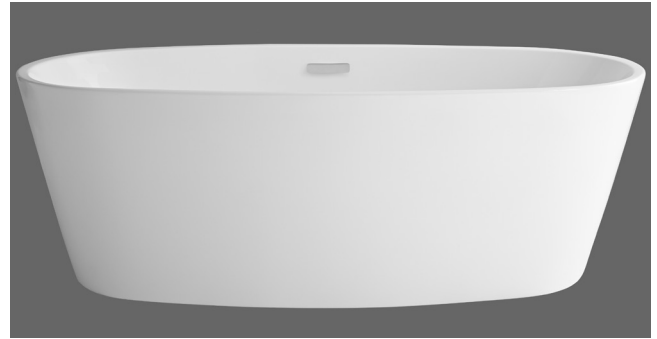
**Nominal Dimensions:**

68-3/4" x 31-1/4" x 23-5/8"  
(1746 x 794 x 600mm)

**Compliance Certifications -**

**Meets or Exceeds the Following Specifications:**

- IAPMO Z124-2011
- CSA B45.5-11
- cUPC



SEE REVERSE SIDE FOR ROUGHING-IN DIMENSIONS  
AND PRODUCT SPECIFICATIONS

**To Be Specified - Required:**

- Color: White

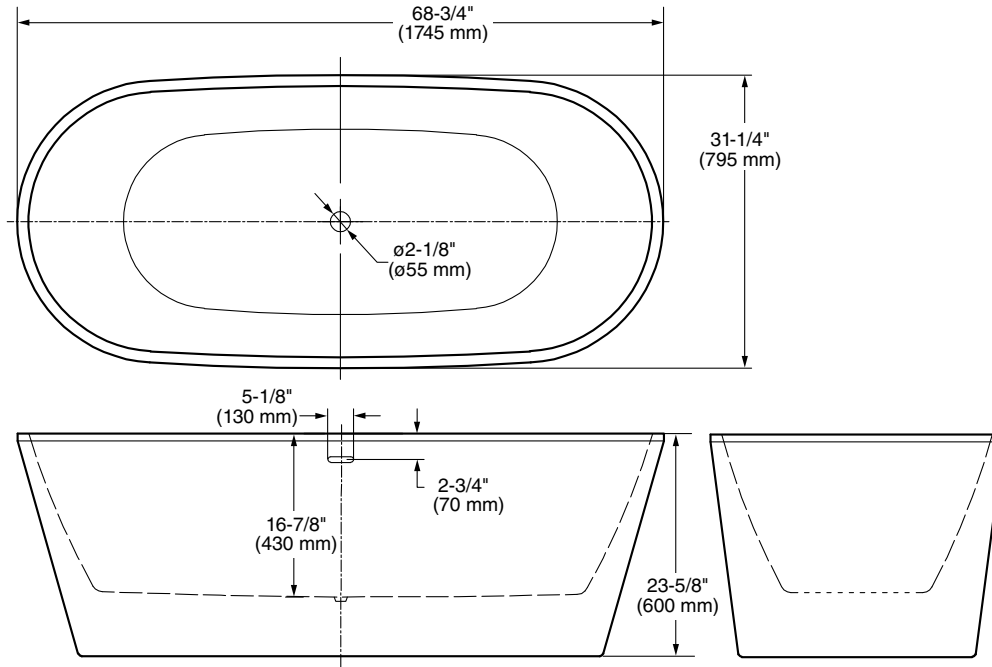
**Optional:** For all installations

1680.100.295 Satin Nickel Overflow and Drain Kit

**Recommended:** For concrete slab installation

**Drain adapter rough-in suggest**

- OS&B ABS Island Tub Drain Rough-In #ITD35
- PVC Island Tub Drain Rough-In #ITD5135
- or
- Cast Iron Island Tub Drain Rough-In #ID357



GENERAL SPECIFICATIONS FOR 2765 FREE STANDING BATH	
INSTALLED SIZE	68-3/4 x 31-1/4 x 23-5/8 in. (1746 x 794 x 600mm)
WEIGHT	97 Lbs. (44 Kg.)
WEIGHT w/WATER	594 Lbs. (270 Kg.)
GAL. TO OVERFLOW	71 Gal. (269 L)
BATHING WELL AT SUMP	46-1/8 x 20-1/8 In. (1172 x 511mm)
BATHING WELL AT RIM	66 x 28-1/2 In. (1677 x 724mm)
WATER DEPTH TO OVERFLOW	14-1/8 In. (359mm)
FLOOR LOADING (PROJECTED AREA)	40 Lbs./Sq.Ft. (195 Kgs./Sq.m)

**NOTES:**

■ REFER TO INSTALLATION INSTRUCTIONS SUPPLIED WITH BATHTUB FOR ADDITIONAL INFORMATION.

**IMPORTANT:** Dimensions of fixtures are nominal and may vary within the range of tolerances established by ANSI Standard Z124.1.2. These measurements are subject to change or cancellation. No responsibility is assumed for use of superseded or voided leaflet.