

TOWN SQUARE® 5' x 42" WHIRLPOOL AND BATHING POOL

2748.018WC Whirlpool Massage System

- Acrylic with fiberglass reinforcement
- Pre-leveled tub bottom
- Two person design with center drain and dual lumbar ends
- Faucet/Accessory deck area
- Single speed, self-draining pump/motor
- Factory installed power cord with plug
- Six multi-directional and flow adjustable jets
- Deck-mounted air switch On/Off
- Two silent air volume controls
- Quick Connect Safe-T-Heater connection system
- Factory installed and tested whirlpool system
- EverClean® System

2748.018WC.K2 Whirlpool Massage System with Chromatherapy

Same as 2748.018WC but also includes:

- Two digitally controlled lights
- Backlit electronic control with color selector and color cycle function

2748.002 Bathing Pool only

Nominal Dimensions:

59-1/2" x 41-5/8" x 23"
(1511 x 1057 x 584mm)

Compliance Certifications -

Meets or Exceeds the Following Specifications:

- Underwriters Laboratories - Hydromassage Bathtubs UL 1795
- ASME A112.19.7M for Whirlpool Appliances
- ANSI Z124.1 for Plastic Bathtubs
- ASTM E162 for Flammability
- NFPA 258 for Smoke Density

American Standard whirlpools and air baths with EverClean® incorporate a patented silver-ion additive right into the circulation piping to protect the pipes from mold, mildew, algae and fungus that could cause deterioration or staining of the pipes.

SEE REVERSE FOR PRODUCT DIMENSIONS AND SPECIFICATIONS



To Be Specified - Required:

- Color:
- Drain 1594.170 (specify finish):
- Town Square Bath Faucet:
 - D/M Filler with Personal Shower: 2555.901 (specify finish)
 - D/M Filler less Personal Shower: 2555.900 (specify finish)
- Town Square Bath/Shower Faucet:
 - B/S for Wall Mount Spout: 2555.602 (specify finish)
 - B/S for Deck Mount Spout: 2555.652 (specify finish)
- Other Bath Faucet (specify finish):

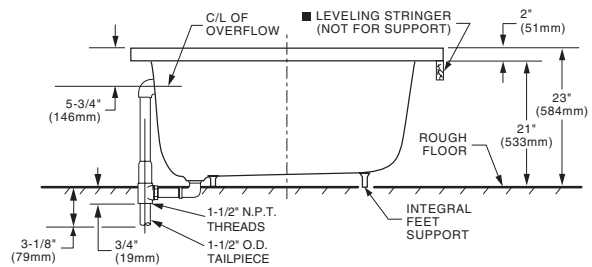
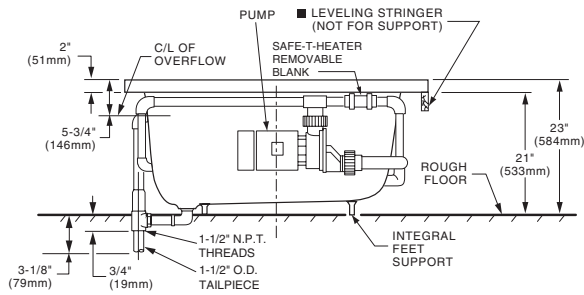
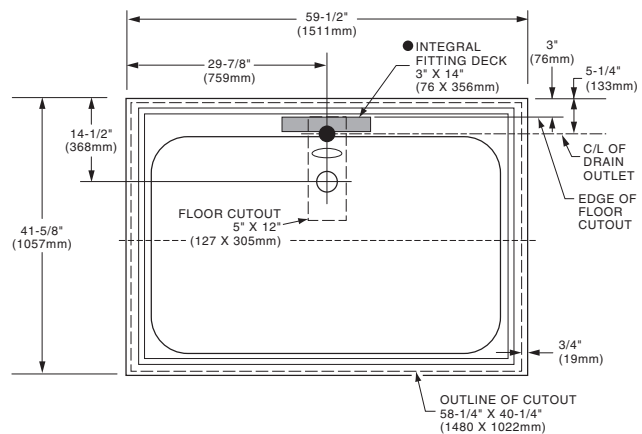
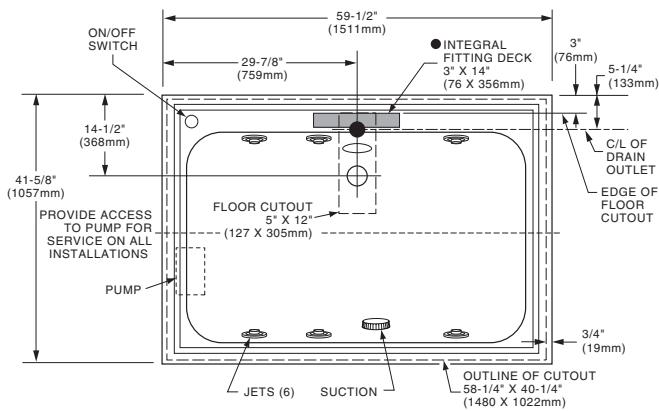
To Be Specified - Optional:

- Safe-T-Heater*: 9075.120
- Apron: 9460.018 (specify color)
- Tile Bead Kit: 751755-200

For color/finish availability and other faucet choices, please see the Product Selector and Pricing Guide.

* **NOTE:** the Safe-T-Heater is designed to maintain water temperature during operation. It will not heat cold water to desired bathing temperature.

TOWN SQUARE® 5' x 42" WHIRLPOOL AND BATHING POOL HIGH GLOSS



GENERAL SPECIFICATIONS FOR 2748 WHIRLPOOL

INSTALLED SIZE	59-1/2 x 41-5/8 x 23 In. (1511 x 1057 x 584mm)
WEIGHT	110 Lbs. (50 Kg.)
WEIGHT w/WATER	611 Lbs. (278 Kg.)
GAL. TO OVERFLOW	60 Gal. (227 L)
WHIRLPOOL MIN. OPERATING VOL.	55 Gal. (208 L)
BATHING WELL AT SUMP	34 x 24 In. (864 x 610mm)
BATHING WELL AT RIM	52 x 31 In. (1321 x 1321mm)
WATER DEPTH TO OVERFLOW	12-1/2 In. (318mm)
FLOOR LOADING (PROJECTED AREA)	40 Lbs./Sq.Ft. (194 Kgs./Sq.m)
PTS.	27.8
CUBE (FT ³)	45.4

WHIRLPOOL ELECTRICAL SPECIFICATIONS

WHIRLPOOL PUMP	1.6 HP, 9.7 AMPS, 120V.
----------------	-------------------------

GENERAL SPECIFICATIONS FOR 2748 BATHING POOL

INSTALLED SIZE	59-1/2 x 41-5/8 x 23 In. (1511 x 1057 x 584mm)
WEIGHT	110 Lbs. (50 Kg.)
WEIGHT w/WATER	611 Lbs. (278 Kg.)
BATHING WELL AT SUMP	34 x 24 In. (864 x 610mm)
BATHING WELL AT RIM	52 x 31 In. (1321 x 1321mm)
WATER DEPTH TO OVERFLOW	12-1/2 In. (318mm)
FLOOR LOADING (PROJECTED AREA)	40 Lbs./Sq.Ft. (194 Kgs./Sq.m)
PTS.	27.8
CUBE (FT ³)	45.4

NOTES:

BATH CAN BE INSTALLED EITHER ABOVE OR BELOW FLOOR LINE AS PIER, ISLAND OR PENINSULA TYPE INSTALLATION. SUMP OF BATH IS SUPPORTED BY INTEGRAL FEET. NO ADDITIONAL SUPPORT REQUIRED. ENCLOSING MATERIALS BY OTHERS.

● IF INSTALLING A DECK-MOUNTED FITTING, BEFORE DRILLING ANY HOLES: CHECK FOR INTERFERENCE WITH CIRCULATING SYSTEM PIPING AND DRAIN OVERFLOW. MOUNTING HOLES DRILLED BY INSTALLER.

OPTIONAL TILING BEAD KIT No. 751755-200 AVAILABLE.

■ REFER TO INSTALLATION INSTRUCTIONS SUPPLIED WITH WHIRLPOOL FOR ADDITIONAL INFORMATION.

FITTINGS NOT INCLUDED AND MUST BE ORDERED SEPARATELY.

PROVIDE SUITABLE REINFORCEMENT FOR ALL SUPPORTS.

IMPORTANT: Dimensions of fixtures are nominal and may vary within the range of tolerances established by ANSI Standard Z124.1 / CSA Certified. These measurements are subject to change or cancellation. No responsibility is assumed for use of superseded or voided leaflet.