

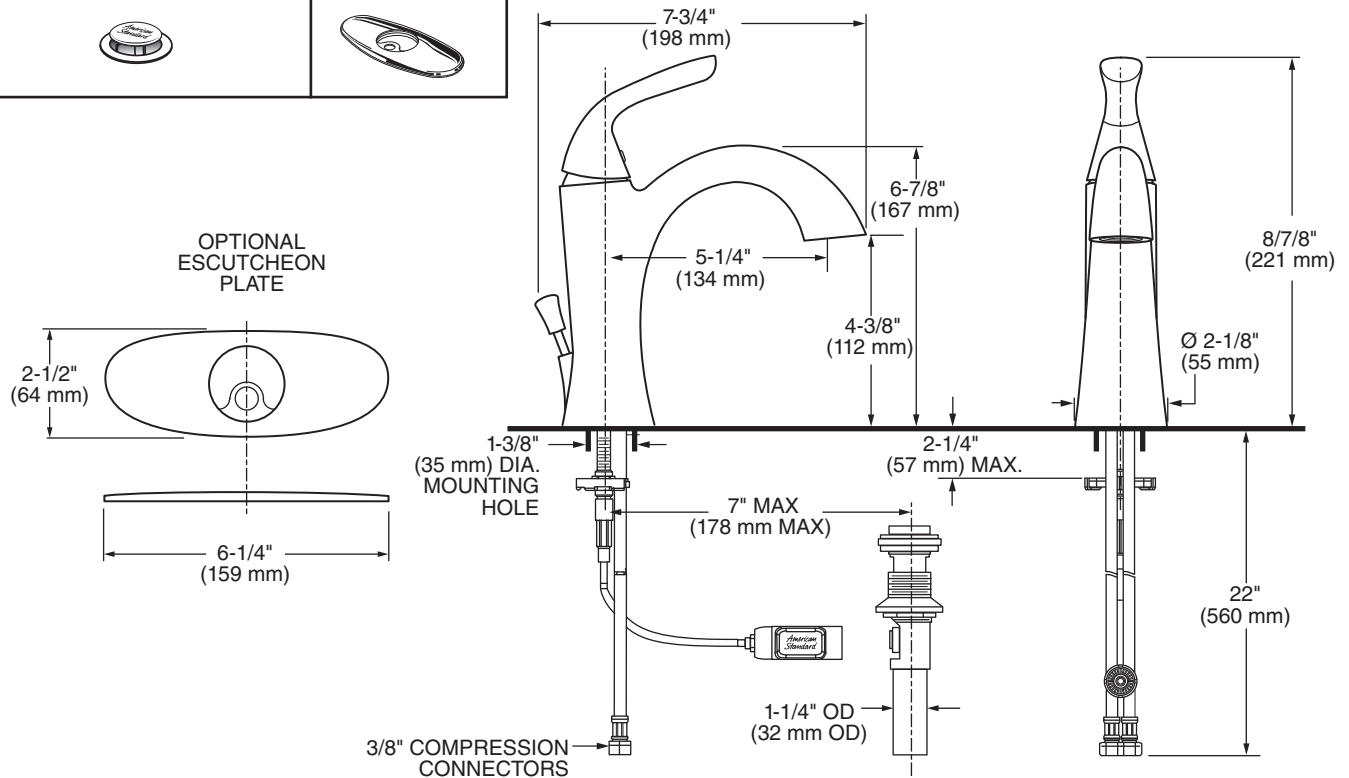


**MODEL NUMBER:**

- 7186.101 Single Control Lavatory**  
Metal Speed Connect® pop-up drain. Metal lever handle.

**AVAILABLE ACCESSORY:**

- 2000.102P Escutcheon Plate Only**



**GENERAL DESCRIPTION:**

Brass body. Washerless 35 mm ceramic disc valve cartridge with integral hot limit safety stop. Braided flexible supply hoses with 3/8" compression connectors. 20" (500 mm) long flexible stainless steel drain cable is pre-assembled to faucet body. Metal Speed Connect® drain body with 1-1/4" (32 mm) tail piece. 1.2 gpm/4.5 L/min. maximum flow rate. Fitting can be mounted on 4" centers using optional escutcheon (2064.101P) or single hole mounting method.

**PRODUCT FEATURES:**

**Ceramic Disc Valve Cartridge:** Assures a lifetime of smooth handle operation and drip-free performance.

**Exclusive Speed Connect Metal Drain:**

- Fewer parts. Installs in less time.
- No adjustments required - seals the first time, every time.
- Flexible stainless steel cable - installs effortlessly in tight spaces.

**Lead Free:** Faucet contains ≤ 0.25% total lead content by weighted average.

**SUGGESTED SPECIFICATION**

Single control lavatory faucet shall feature a brass swivel spout and metal lever handle. Shall also feature washerless ceramic disc valve cartridge. Shall also feature a metal drain body with stainless steel cable actuation. Fitting shall be American Standard Model # 7186.101.\_\_\_\_\_.

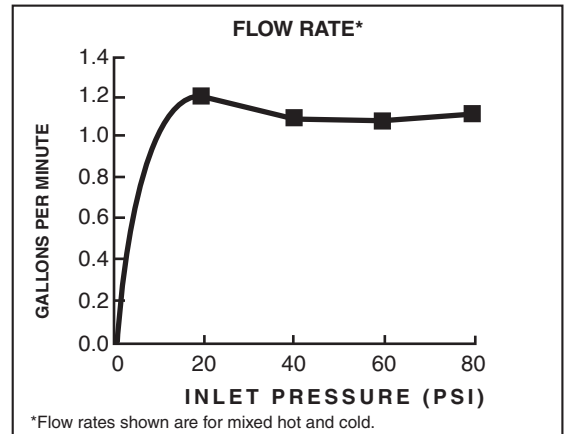



**FLUENT®**  
**SINGLE CONTROL LAVATORY FAUCET**

**CODES AND STANDARDS**

These products meet or exceed the following codes and standards:

- ANSI A117.1**
- ASME A112.18.1**
- NSF 61/Section 9 and Annex G**
- CSA B125.1**



Product Number	Description	Finish Options		
		Polished Chrome	Oil Rubbed Bronze	PVD Brushed Nickel
		002	224	295
7186101	Fluent™ single control lavatory faucet. Metal Speed Connect® pop-up drain. 			
2000.102P	Optional Escutcheon Plate Only (For mounting on 4" menters)			

 Meets the American Disabilities Act Guidelines and **ANSI A117.1** Requirements for the physically challenged.