

## Lloyd® Deck-Mount Bath Faucet

### FEATURES

---

- Solid brass construction
- Ceramic disk valve cartridge
- Accommodates 8" -16" spread
- Metal pop-up waste assembly



### COLORS/FINISHES

---

- #CP Polished Chrome
- #BN Brushed Nickel
- #PN Polished Nickel

### CODES/STANDARDS

---

- Meets or exceeds ASME A112.18.1/CSA B125.1
- Certifications: IAPMO(cUPC), State of Massachusetts, City of Los Angeles, and others
- Code Compliance: UPC, IPC, NSPC, NPC Canada, and others
- ADA compliant



### PRODUCT SPECIFICATION

---

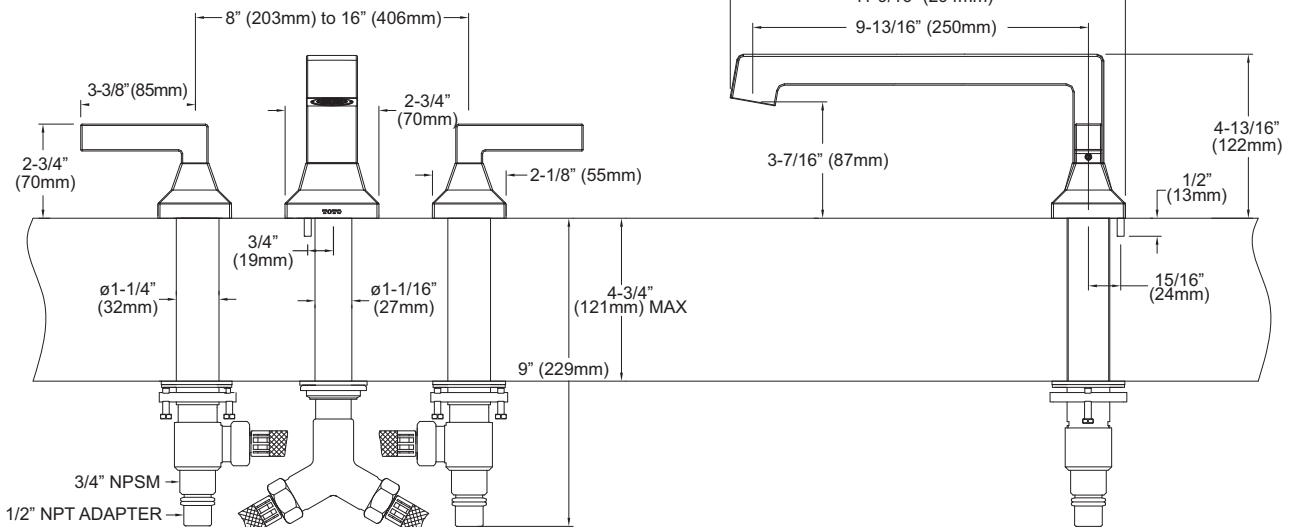
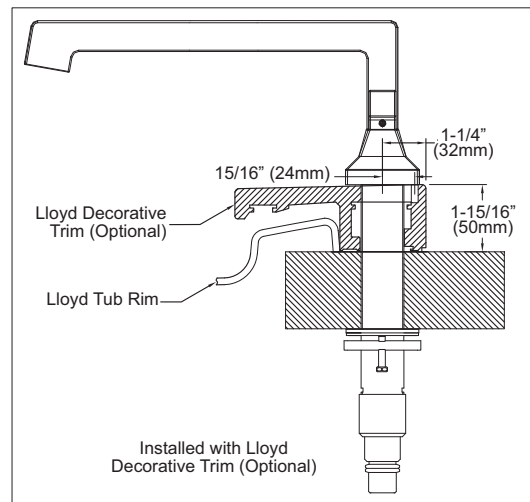
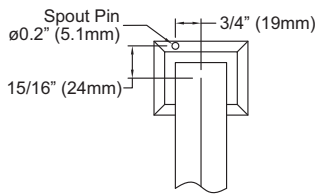
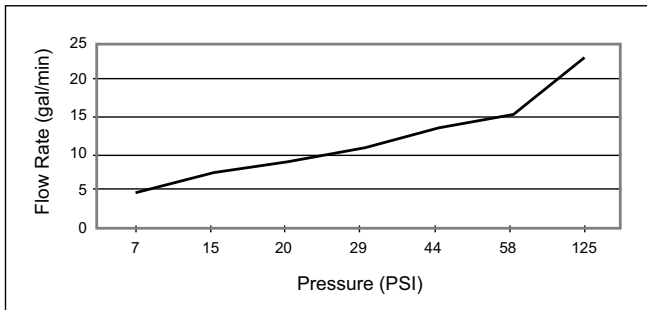
Two-handle deck-mounted tub filler shall feature solid brass construction and thermostatic control. Shall also feature washerless ceramic disk valve cartridges. Fitting shall be TOTO Model TB930DD\_\_\_\_\_.

# TB930DD

## Lloyd® Deck-Mount Bath Faucet

### SPECIFICATIONS

- Warranty: Lifetime Limited Warranty (Residential Use)  
One Year (Commercial Use)
- Material: Brass
- Shipping Weight: 13.7 lbs.
- Shipping Dimensions: 15" L x 13" W x 3-1/4" H



**TOTO**

*These dimensions and specifications are subject to change without notice*