

# Linear Steam Head

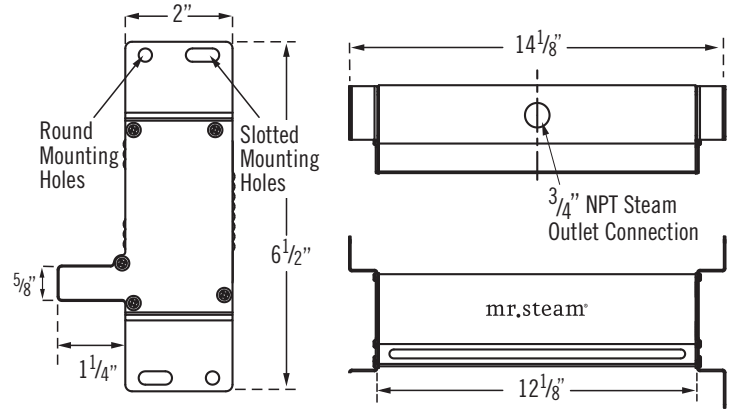
- Quiet, even distribution of steam
- No moving parts
- No field assembly required
- Minimal profile

## Installing the Linear Steamhead

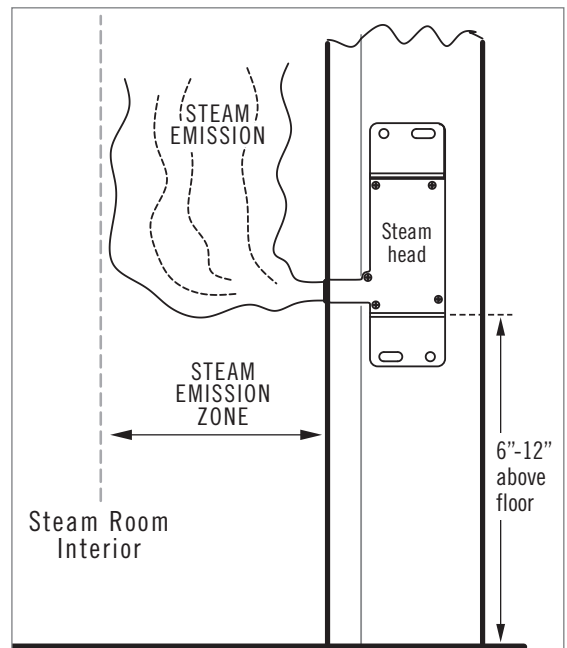
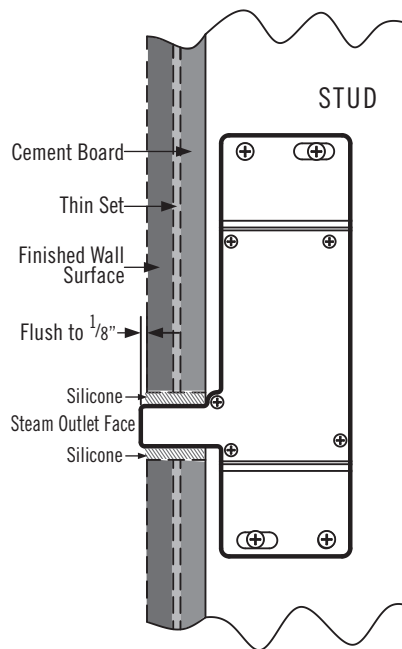
STEAMHEAD INSTALLATION (3/4" NPT)

**IMPORTANT:** Do not disassemble steam head. Mr.Steam's steam head is shipped fully assembled and requires no additional assembly.

Locate steamhead 6-12 inches above floor, except for tub/shower enclosures; install 6 inches above tub top edge.



- CAUTIONS**
- Because the steam head and direct steam emissions are very hot, locate the steam head where incidental contact by bather with the steamhead or direct steam emission cannot occur.
  - Linear Steam Head model 104216 is suitable for MrSteam generator models MS90 – MS400, MSSUPER1– MSSUPER3 and CT6-CT15.
  - Using model 104216 for any steam generator model larger than the MS Super 3, or for any non MrSteam brand generators may result in an improper installation or hazardous condition.
  - For residential and Day Spa use only.
  - Install in a horizontal orientation only. Installation in a vertical orientation may concentrate the steam and result in excessive temperatures.



Generator Model	Steam Emission Zone
MS90 – MS400, CT6, CT9	18"
SUPER 1 – SUPER3; CT12, CT15	24"

**FOR ILLUSTRATIVE PURPOSES ONLY. IMPORTANT NOTE: FOR SAFE AND TROUBLE FREE INSTALLATION** visit [mrsteam.com](http://mrsteam.com) or scan the QR code before installation to download the Installation, Operation and Maintenance Manual or refer to the manual provided with the unit.



MODEL	PROJECT INFORMATION	
104216 For MS90 - MSSuper 3 and CT6-CT15	Location:	Contractor:
	Architect:	Submitted By:
	Engineer:	Date:
Notes:		