

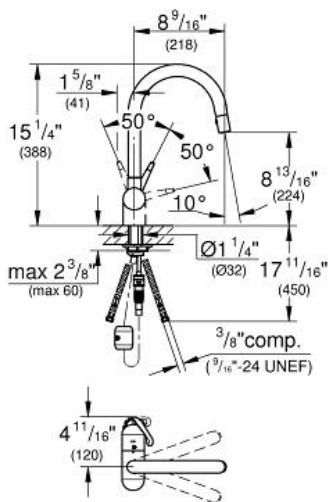
# Single-lever sink mixer 1/2"

MODEL # 32245SD0

Pure Freude an Wasser

**GROHE**

GROHE America, Inc | 200 North Gary Avenue, Suite G, Roselle, IL 60172  
Phone: +1 (800) 444-7643 | Fax: +1 (800) 225-2778 | us-customerservice@grohe.com



ADA

## Product Description: Single-lever sink mixer 1/2"

### Standard Specification:

- Single hole installation
- **GROHE SilkMove**® ceramic cartridge
- **GROHE RealSteel**® Stainless Steel Construction produced from Grade 304 stainless steel
- Swivel Spout
- **Dual Spray Pull-Out**
- Diverter: aerator/shower jet
- Returning help
- Integrated non-return valves
- Stainless steel flex lines
- Quick installation system
- Single Lever Handle
- Variable Handle Positioning
- Spout Reach 8 9/16"
- Coordinated Ladylux Pro Design
- Forward rotation lever, does not hit backsplash
- Max Flow Rate: 1.75 gpm (6.6 L/min)

### Applicable Codes & Standards:

- Energy Policy Act of 1992
- NSF 61
- ASME A112.18.1/CSA B125.1
- US Federal and State material regulations
- ICC/ANSI A117.1
- CalGreen

### Color:

- 32245SD0 SD0 stainless steel, brushed