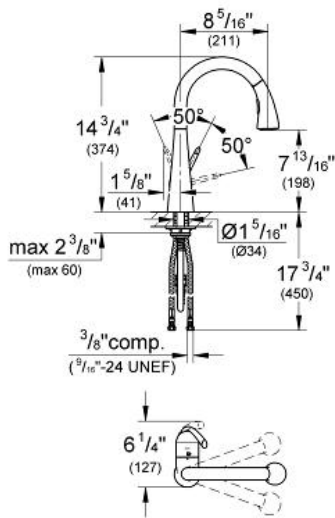


LADYLUX
Single-lever sink mixer 1/2"
MODEL # 32298001

Pure Freude an Wasser



GROHE America, Inc | 200 North Gary Avenue, Suite G, Roselle, IL 60172
Phone: +1 (800) 444-7643 | Fax: +1 (800) 225-2778 | us-customerservice@grohe.com



Product Description:
Single-lever sink mixer 1/2"

Standard Specification:

- Single hole installation
- Swivel Spout
- Swivel area 360°
- Adjustable flow rate limiter
- Pull-out Dual Spray Control - switches back and forth between regular flow and spray
- Automatic returning
- Integrated non-return valve
- Locking diverter: aerator/SpeedClean shower jet
- Automatic return to aerator
- Flexible hose connections
- Quick installation system
- Protected against backflow
- SpeedClean® anti-lime system
- GROHE SilkMove® ceramic cartridge
- 8 5/16" reach
- Forward rotation lever, does not hit backsplash
- Max Flow Rate: 1.75 gpm (6.6 L/min)

Applicable Codes & Standards:

- Energy Policy Act of 1992
- NSF 61
- ASME A112.18.1/CSA B125.1
- US Federal and State material regulations
- ICC/ANSI A117.1

Color:

- 32298001 001 chrome

